

Lodo

The large-sized professional screen.

SCREENLINE



16:9

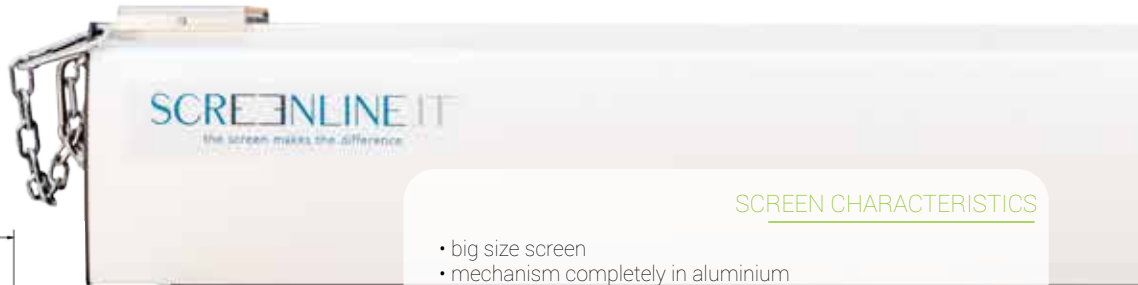
2.35:1

16:10

4:3

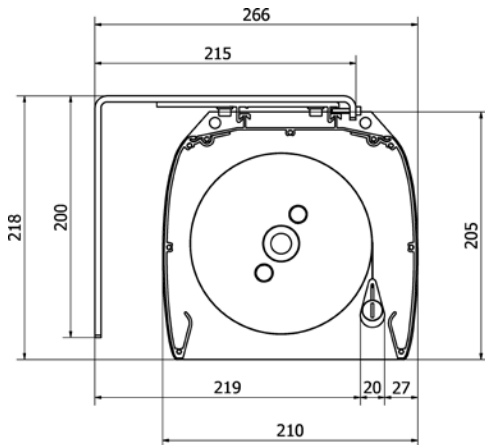
Lodo

Lodo is both sturdy and practical: the mechanism made of robust aluminium components allows the installation of fabrics up to 700 cm. wide at the base. Chains and brackets ensure an easy installation. The brackets allow wall or ceiling installation, choosing the distance of the screen from the wall and make it possible to correct the central position also once installed. The chains make it easy to lift and move the screen. Once they are anchored, they are a further safety measure.



SCREEN CHARACTERISTICS

- big size screen
- mechanism completely in aluminium
- matt white or matt black box
- wide variety of customized fabrics and sizes
- front fall
- safety chains
- cardboard/steel reinforced packaging



SURFACE OPTIONS

- White Ice
- Home Vision
- Microperforated
- Coral rear-projection



the sturdy bracket supplied allows mounting on a wall or ceiling

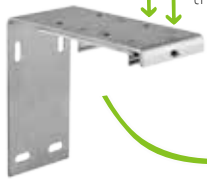
16:9	2.35:1
16:10	4:3

Lodo tensioned

The lateral tensioning of the projection fabric ensures perfect flatness of the surface and the borders even after extensive use. The strength of the aluminium structure as well as the wide variety of the available fabrics remain the same as standard Lodo, also in customized versions.

It is available either with standard motor or with in-built remote control which allows operating it and adjusting the limit switch remotely.

wall brackets: you can choose the distance from the wall

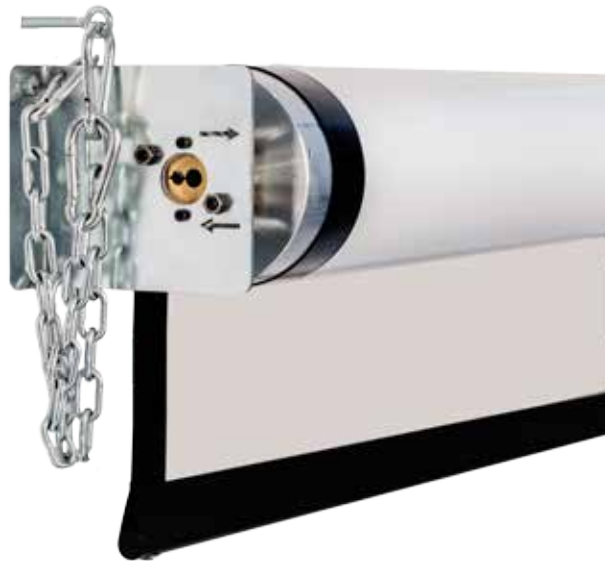


Ceiling bracket: It is obtained by disassembling the wall bracket



Safety chains





300 390 440 490 540 590 640 690 750 800 850 900

2.35:1

16:9

16:10

4:3

Lodo no box & Big Lodo no box

As with the standard version, these screens feature a sturdy tube/motor system and high resistance to bending, which ensure excellent flatness of the projection surface over the years.

The compactness of the screen in relation to the total size is emphasized by the absence of the box which makes installation in small rooms easier. The side brackets allow screen installation possible on walls, ceilings or fixed to lateral supports.

When Lodo no box is wider than 700 cm. it features a bigger motor, tube and brackets becoming Big Lodo no box with a base of up to 850 cm.

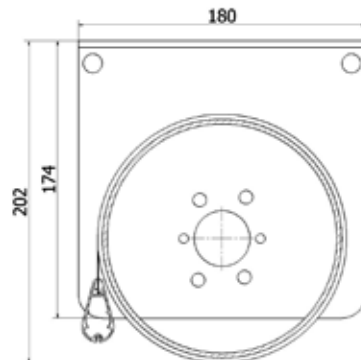
Rear fall to avoid exposing the viewing area to dust and weather damages.

SCREEN CHARACTERISTICS

- aluminium mechanism without box
- silent, powerful motor
- anchoring chains
- steel bar reinforced packaging

SURFACE OPTIONS

- White Ice
- Home Vision
- Microperforated
- Coral rear-projection



950 700 750 800 850 900 950



Big Lodo

This screen is designed for theatres, conference rooms, halls, congress centres, etc. The structure is made from a combination of aluminium and steel with a large diameter aluminium tube, reinforced in order to prevent bending and activated by a big torque SOMFY motor. The box protects the fabric from dust or impact with other hanging objects.

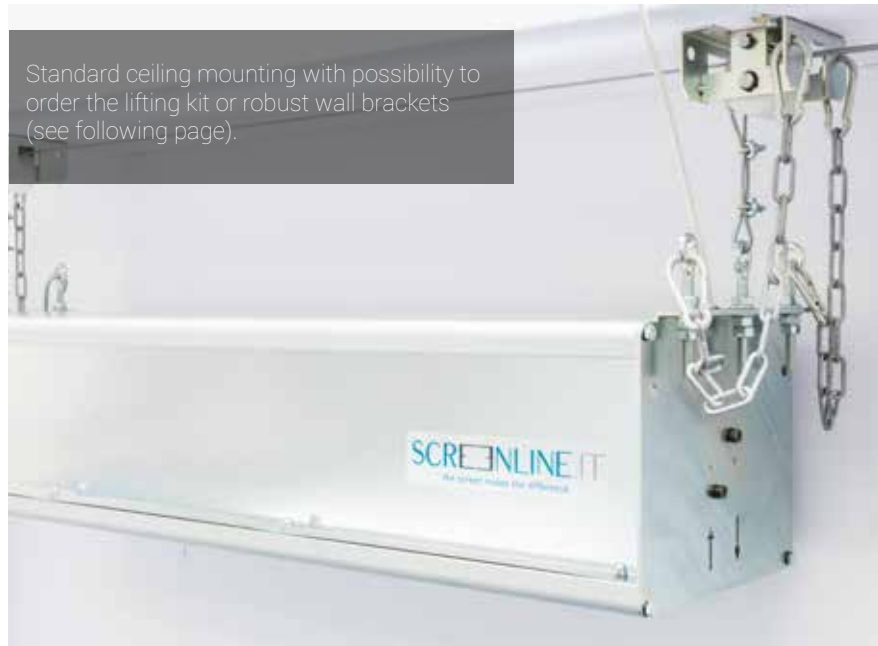
The packaging consists of a solid steel reinforced wooden box which makes transport safer also for long distances.

SCREEN CHARACTERISTICS

- mixed aluminium and steel structure
- powerful and quiet motor
- wide range of fabrics and sizes
- safety anchor chains
- reinforced wooden box packaging
- lifting kit on request

SURFACE OPTIONS

- White Ice
- Home Vision
- Microperforated
- Coral rear-projection



Standard ceiling mounting with possibility to order the lifting kit or robust wall brackets (see following page).

Lifting kit & Wall brackets



Sturdy and practical wall brackets

Big Lodo can come and be installed with a Lifting kit. This system allows lifting the screen and carrying it to its final position using just two technicians/people and a moving bridge or a scaffold saving labour and installation costs.

The system makes it possible to take the screen down as well for maintenance operations, cleaning and repairing. The screen must be fixed and anchored well after any movement.

Wooden steel box



All the screens of the Lodo range are wrapped in dedicated steel bar reinforced packaging which cover the wood and cardboard box.